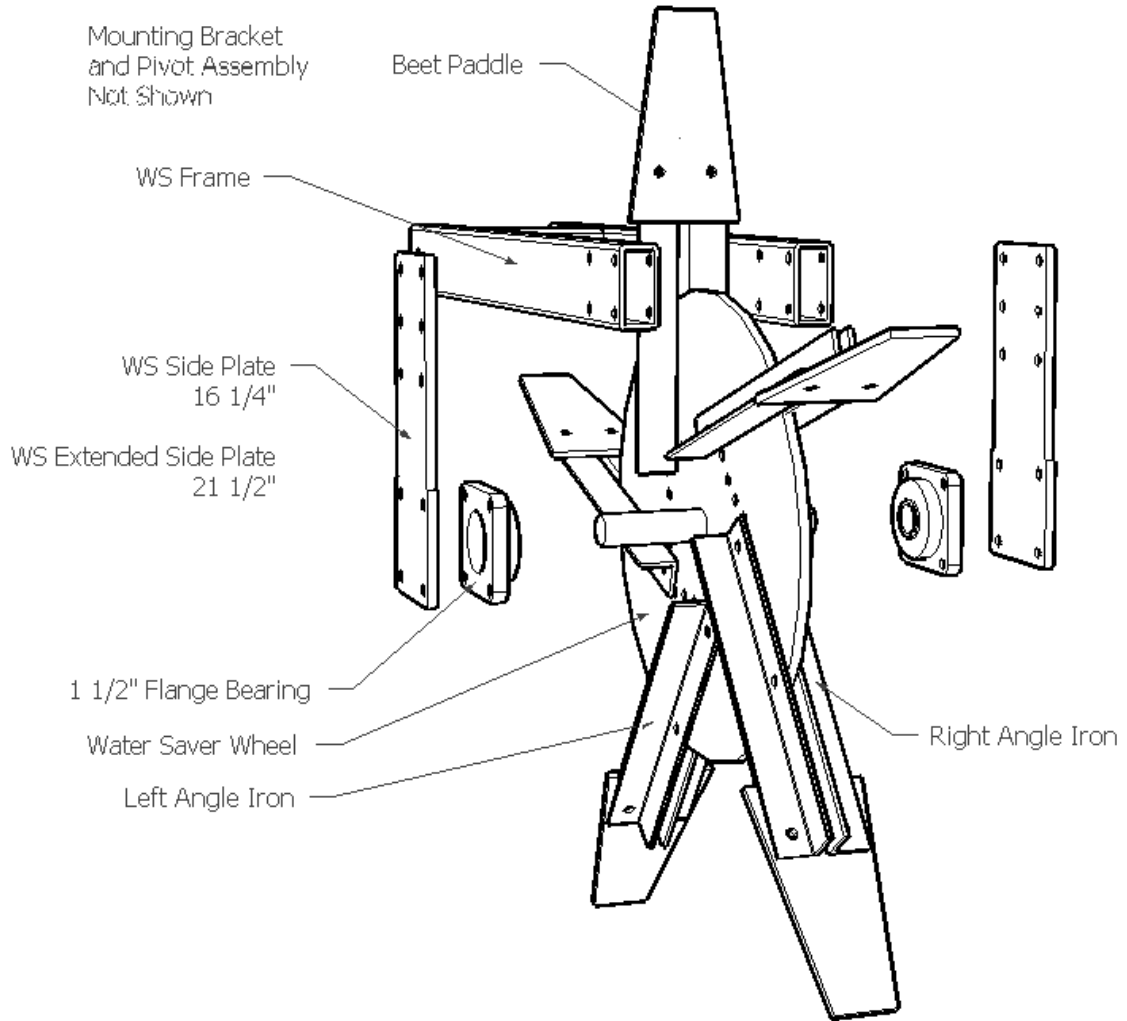


Water Saver Parts Catalog 2022

NW
NORTHSIDE
W E L D I N G



Water Saver Unit



Beet Paddle- NSPAD2

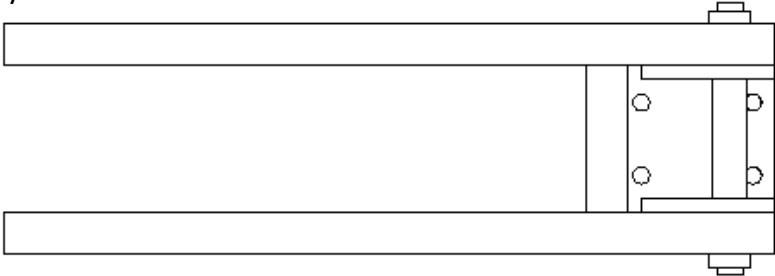


Potato Paddle- NSPAD9

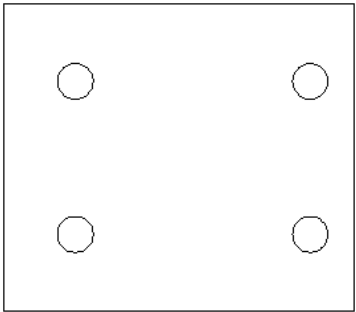


Mounting Frame (WSMF) with Pivot assembly (WSFPA)

Parts sold as a unit or separately



Mounting Plate- WSMFP



Side Plate (16 ¼" Length)- WSSP100



Ext. Side Plate (21 ½" Length)- WSSP200

For Use with John Deere Tru Depth Shanks



WS Paddle Wheel- WSPW101

(Replaces WSPW100 with obsolete
Holes removed)



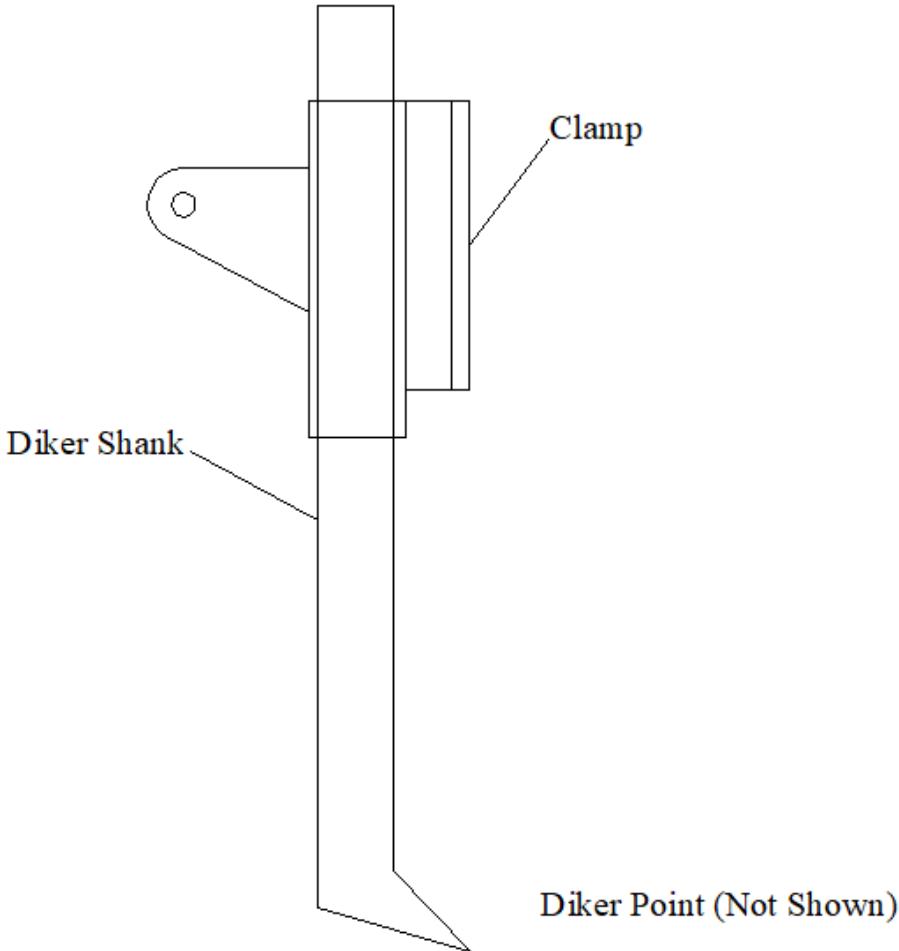
Angle Iron

Left- WSAIL (not shown)

Right- WSAIR



Diker Shank/Clamp Assembly



Diker Shank- Z-1X318



Hydraulic Reset Clamp- HYDC1X318



Inside Pivot Assembly ONLY

HYDCPA1X318

Require 1 x 9 Gr. 8 Bolt with lock nut

Shear Pin Clamp- DSPC1X318



Beet Point- WSBP100

Roll Pin for Point- RP38134



Misc. Parts

U Bolts

For 4" x 6" Bar- FUB409034

For 4" x 4" Bar- FUB406034

Depth Wheel Spindle- XHDDWSP

Uses 5/8-18 UNF x 2" bolt, with 5/8-18 lug nut



Bearings

For WS Paddle Wheel- 1 ½" Bearing with 208 4 Bolt Housing -BNG112208

For XHD DW Spindle- 1 ¾" Bearing with 209 4 Bolt Housing -BNG134209

Hydraulic Cylinders

3" Bore x 12" Stroke with ORB Ports

3 ½" Bore x 12" Stroke with ORB Ports

(For cylinders located directly behind tractor wheels)

Fold cylinders on folding bars differ by bar size. Generally 4" bore, 36 or 48" stroke.

Hydraulic Hoses (For hydraulic reset shank option)

Upper Line- 1/2" Hose, Specify Overall Length and Fitting Type (#8 JIC, ½" NPT male)

Lower Line- 3/8" Hose, Specify Overall Length and Fitting Type (#8 JIC, ½" NPT male)

Hydraulic Cylinder Fittings

ORB x JIC Tee

ORB x JIC Elbow



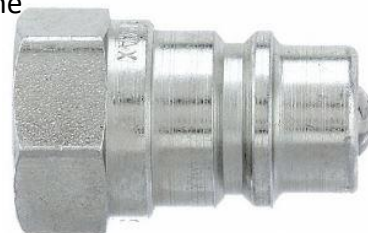
Misc Hydraulic Fittings

JIC Tee



NPT Quick Connect Round (Pioneer) for charge line

Uses 1/2" NPT hose end



NPT Quick Connect for drain return line

Lower 3/8" return line (connect to zero pressure port on tractor—part varies by tractor)

Uses 1/2" NPT hose end

